

PACCAR Kenworth Trucks

Advanced Herd Bullbars engineering development team has worked closely with the dealer network to design tough robust Heavy Duty FUPD bullbars and bumpers for the complete PACCAR Australia range



ADV7925 K200 11+ 6A FUPD BULLBAR with ROADTRAIN Signs and Dolly Plate
Approval No. FUP9076/08

NEW

ADV7913 T609 6A FUPD BULLBAR
Approval No. FUP9189/08

NEW



ADV7513 T659 6A FUPD BULLBAR
Approval No. FUP8599/07

NEW

ADV7502 T908 7A FUPD BULLBAR
Approval No. FUP8412/07



The Heavy Duty Bullbar Source

1800 627 077
www.advancedbars.com.au

K104/K108 Series



ADV7568 K104/K108 5A FUPD "Texas" BULLBAR
Approval No. FUP9076/08



ADV7555 K104/K108 6A FUPD BULLBAR
Approval No. FUP8348/07



ADV7608 K104/K108 7A FUPD BULLBAR
with Dolly plate Approval No. FUP8346/07
ADV7578 K104/K108 5A FUPD BULLBAR
with Driving Light Cut-outs suit HELLA 1345
Approval No. FUP7227/06



ADV7573 K104/K108 FUPD "Texas" BUMPER
Approval No. FUP9043/08

ADV7578 K104/K108 5A FUPD BULLBAR
Approval No. FUP7227/06



1800 627 077



ADV7423 KEN K104 6A non FUPD Heavy Duty
Tow Pin version Bullbar



Optional Dolly Plates available for all models

ADV7638 KEN K108 7A non FUPD Bullbar with
Dolly Plate fitted



ADV7726 SPOT K108 FUPD "TEXAS" BUMPER
WITH 200Tonne HEAVY DUTY TOWPIN
Approval No. FUP9043/08
Driving Light Cut-outs suit HELLA 1345 & 1145



T904/T908/T909 Series



ADV7882 T904, T908, T909 6A FUPD BULLBAR
HEAVY DUTY STRAIGHT TUBE VERSION
Approval No. FUP8412/07 **NEW**



ADV7477 T904, T908, T909 6A FUPD BULLBAR
Approval No. FUP8412/07



ADV7696 KEN T904/T908 5A TEXAS FUPD
BULLBAR Approval No. FUP10082/09
ADV7426 T904 5A Bullbar



ADV7707 T904, T908, T909 "TEXAS" FUPD
BUMPER with removeable TOWPIN
Approval No. FUP10144/09

ADV7502 KEN T904/T908 7A FUPD BULLBAR
Approval No. FUP8412/07



1800 627 077

T650/T658/T659 Series



ADV7513 T659 6A FUPD BULLBAR
Approval No. FUP8599/07

NEW



ADV7757 T658 "TEXAS STYLE" FUPD BUMPER
with TOWBOX - SPOT cutouts optional
Approval No. FUP9627/08



ADV7644 T658 "TEXAS STYLE" FUPD BUMPER
Approval No. FUP9627/08



ADV7407 T650 6A Bullbar



ADV7536 T658 7A FUPD BULLBAR
Approval No. FUP8599/07



T404/T408 & SAR Series



ADV7659 T408SAR 5A FUPD BULLBAR
Approval No. FUP8968/08



ADV7550 T408SAR 6A FUPD BULLBAR
Approval No. FUP8708/07



ADV7413 T404/T604 6A Bullbar



ADV7702 T408SAR Bumper

ADV7490 T404ST 6A FUPD Bullbar
Approval No. FUP8642/07



ADV7474 T404SAR 5A Bullbar

T404/T408/T604/T608 Series



ADV7572 T408 5A FUPD Bullbar
Approval No. FUP8968/08



ADV7748 T608 7A FUPD BULLBAR
Approval No. FUP9189/08



ADV7564 T408 6A FUPD Bullbar
Approval No. FUP9189/08



ADV7754 T408/T608 FUPD Bumper SPOT
Approval No. FUP11037/10

ADV7694 KEN T608 5A TEXAS FUPD BULLBAR
Approval No. FUP10128/09

ADV7602 T608 6A FUPD BULLBAR
Approval No. FUP9189/08



C501/C508/T908 Series

Advanced Herd Bullbars specializes in FUPD Heavy Duty Bullbar manufacture - should you require a product outside of our normal range please contact us for further details



ADV7488 KEN C501/C508 6A FUPD Bullbar
Approval No. FUP9107/08

ADV7752 KEN C508 7A FUPD SUPER HEAVY DUTY BULLBAR - Grey Powder Coat Finish
Approval No. FUP9107/08

CUSTOM OUTBACK WORK BULLBAR
This example was built for WA outback work to protect roadtrain from stray cattle



ADV7502 T908 7A FUPD BULLBAR
Approval No. FUP8412/07

The most popular bullbar design by choice from our Heavy Duty clients for the T908 truck range

ADV7426 T904 5A Euro style Heavy Duty Bullbar specially built for this application

ADV7411 T908 6A Tri-Axle Heavy Duty Bullbar





ADV7492 KEN C501/C508 6A Bullbar specially built for outback QLD customer



ADV7536 T658 7A FUPD BULLBAR - **SHOWN** with Grey Powder Coat finish Approval No. FUP8599/07

ADV7319 KEN T904/T908 7A SUPER HEAVY DUTY BULLBAR
This non FUPD Bullbar was made to special order with Dolly Plate included



ADV7569 KEN C501/C508 5 POST 7A FUPD Approval No. FUP9107/08



Various



ADV7892 T388/T358/T359 FUPD Bumper
Approval No. FUP121167/11 **NEW**



ADV7673 KEN T388 5A FUPD Bullbar
Approval No. FUP10092/09
ADV7704 KEN T358/T359 5A FUPD Bullbar
Approval No. FUP10092/09 **NEW**



ADV7391 T401 5A Bullbar



ADV7363 T350 5AP Bullbar

ADV7341 T604 5A FUPD Bullbar
Approval No. FUP7532/06

ADV7497 CLASSIC W SERIES 5A BULLBAR



1800 627 077

Various applications



ADV7513 KEN T658 6A FUPD Bullbar - Thanks to Steve at Monaro Logging for this photo

ADV7564 KEN T408 6A FUPD Bullbar
Thanks to John Scarcella and Peter Mustone, Engine Specialist at Cummins Diesel Sydney for this photo



ADV7568 KEN K108 5A "TEXAS" FUPD Bullbar
Thanks to Craig Membrey at Membrey's Transport and Crane Hire for this photo



FUPD Testing Compliance and Certification

Advanced Herd Bullbars FUPD testing is conducted in-house on a purpose built test rig under supervision by an independent approved VASS certified competent entity. All documentation pertaining to tests are available to recognised transport authorities upon request. At Advanced Herd Bullbars we treat the design criteria to meet FUPD certification as our minimum standard. Photos show ADV7477 being tested under pressure.



8 Tonne test @ P1 test point

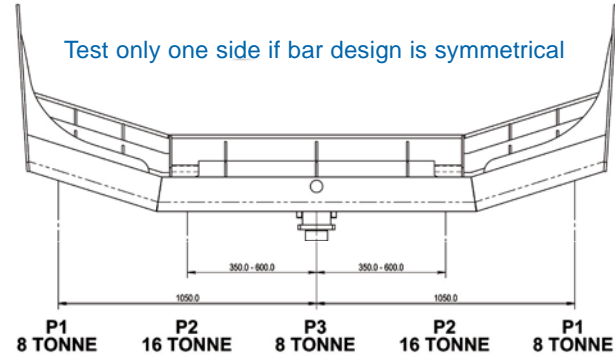


16 Tonne test @ P2 test point



8 Tonne test @ P3 test point

FUPD Testing Information



P1, P2, P3 represent the test points at which test loads as dictated by ECE R93 and ADR84 are applied.

In-house FUPD testing ensures design integrity and conformance - we offer a 100% money back guarantee that our FUPD certified products conform to ECE R93 and ADR84.

Advanced Herd Bullbars

22 Avro Street

Tamworth NSW 2340 NSW, SA

Robert Scott

ph: 02 6762 2252

fax: 02 6762 2464

mob: 0427 890 106

roberts@advancedbars.com.au

Bullbars for Trucks

Unit2/166 Beatty Road

Archerfield QLD 4108 QLD, NT

Steven Airs

ph: 07 3277 2899

fax: 07 3277 2891

mob: 0427 597 087

stevens@bullbars.net.au

Advanced Herd Bullbars

Head Office and Manufacturing Facility

156 South Gippsland Highway

Dandenong South VIC 3175 VIC, TAS, WA

Barry Devlin

ph: 03 9793 7777

fax: 03 9794 5475

mob: 0438 554 040

barryd@advancedbars.com.au

David Taylor

ph: 03 9793 7777

fax: 03 9794 5475

mob: 0488 300 944

davidt@advancedbars.com.au

Ian Balfour

fitting: 0407 232 920



BULLBARS FOR TRUCKS

bullbars.net.au



The Heavy Duty Bullbar Source

1800 627 077
www.advancedbars.com.au